

A range of speed controls, flow controls and back pressure sensors designed to be mounted directly onto the cylinder in the optimum position for maximum performance.

- "Push-in" or threaded connection
- Multifunction options
- Fit directly to cylinder ports
- Swivelling pilot banjo
- Pneumatic, Electric or Electronic back pressure sensor



 **For ATEX specific products contact Sales Office**

Operating information

Working pressure;

PWR-L, PWR-H, PWR-A, PWR-B	1-10 bar
PWB-A, PWS-M, PWS-E, PWS-P	0-10 bar
PWA-L	0,2-10 bar



Working temperature	: -15°C to +60°C
PWR-L	-15°C to +70°C

Pilot pressure at 6 bar supply;

PWB-A and PWR-HB	(1/8", 1/4" versions)	: 4 bar
	(1/2" and 3/8" versions)	: 2,9 bar
PWS-P111		: 4,4 bar
PWS-M1012		: 1,5 bar
PWS-E101 and E111		: 0,7 bar


For more information see www.parker.com/euro_pneumatic

2/2 Blockers

Symbol	Connection for pilot port	Thread for cylinder connection	Connection for tube Ø, mm	Tightening torque Nm	Qmax input at 6 bar, l/min*	Order code
With push-in connection						
	Push-in *, Ø4 mm	G1/8	6	8	500	PWB-A1468
		G1/4	6	12	600	PWB-A1469
			8	12	650	PWB-A1489
		G3/8	8	30	1600	PWB-A1483
			10	30	1750	PWB-A1493
	G1/2	12	35	2050	PWB-A1412	
With threaded connection						
	Push-in *, Ø4 mm	G1/8	G1/4	8	500	PWB-A1898
		G1/4	G1/4	12	650	PWB-A1899
		G3/8	G3/8	30	1750	PWB-A1833
		G1/2	G1/2	35	2050	PWB-A1822

* M5 without banjo


Multifunction flow control + blockers

Symbol	Connection for pilot port	Thread for cylinder connection	Connection for tube Ø, mm	Tightening torque Nm	Qmax input at 6 bar, l/min*	Order code	
With push-in connection							
	Push-in, Ø4 mm	G1/8	4	8	330	PWR-HB1448	
				6	8	500	PWR-HB1468
		G1/4	6	12	500	PWR-HB1469	
				8	12	600	PWR-HB1489
		G3/8	8	30	1200	PWR-HB1483	
			10	30	1300	PWR-HB1493	
		G1/2	10	35	1400	PWR-HB1492	

* Screw closed


Compact flow regulator with push-in connection

For direct port cylinder mounting


Symbol	Thread for cylinder connection	Push-in connection Ø, mm	Order code
	M5	4	PTF8PB4M5
	G1/8	4	PTF4PB4-1/8
		6	PTF4PB6-1/8
		8	PTF4PB6-1/4
	G1/4	6	PTF4PB6-1/4
	G3/8	8	PTF4PB8-3/8
10		PTF4PB10-3/8	
G1/2	12	PTF4PB12-1/2	

Flow regulator with adjustable exhaust restriction



For direct port cylinder mounting

Symbol	Thread for cylinder connection	Push-in connection Ø, mm	Order code
	M5	4	PTFL8PB4M5
	G1/8	4	PTFL4PB4-1/8
		6	PTFL4PB6-1/8
		8	PTFL4PB8-1/8
	G1/4	6	PTFL4PB6-1/4
		8	PTFL4PB8-1/4
	G3/8	10	PTFL4PB10-1/4
		8	PTFL4PB8-3/8
		10	PTFL4PB10-3/8
	G1/2	12	PTFL4PB12-1/2

Flow control valves with by-pass

Symbol	Thread	Number of turns	Qmax input at 6 bar, l/min	Order code
	G1/8	13	240	VQB12-Q-O-5
	G1/4	13	1320	VQB22-Q-O-5
	G1/2	13	3600	VQB42-Q-O-5


Flow control valves with by-directional control

	Symbol	Thread	Number of turns	Q _{max} input at 6 bar, l/min	Order code
		G1/8	13	72	VQB12-OX-5 *
		G1/8	13	240	VQB12-O-5
		G1/4	13	1320	VQB22-O-5
		G1/2	13	3600	VQB42-O-5 **

* Extra fine adjustment

** Low operating temp -40°C

Knob and nut for panel mounting

	To suit	Order code
	VQB12	9128177212
	VQB22	9128177222
	VQB42	9128177242

Inline speed controls, PWR-L series




For inline mounting

With push-in connection,
knob adjustment and locknut

4	PWR-L1444
6	PWR-L1466
8	PWR-L1488
10	PWR-L1499
12	PWR-L1411

Plug-in sensors


For use with banjo sockets

	Sensing function	Output function	Output connection	Output characteristics	Order code
	Exhaust back pressure decay	Pneumatic	Push-in Ø 4 mm	NO valve flow rate at 6 bar 1,5 l/s	PWS-P111
		Electrical ~ I _e = 3 A	3 wires 0,5 mm ² length 2 m	CO contact 12 to 230 V ~ / 10 VA* 12 to 48 VDC/ 5 W*	PWS-M1012
		Solid state	3 wires 0,1 mm ² length 2m	PNP type 10/30 VDC** 75 mA	NC NO PWS-E101 PWS-E111

* Suitable for low currents : 250 V ~ / 4 mA ; 24 VDC / 10 mA ** Including ripple

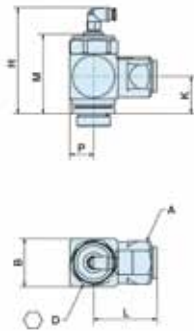
Banjo sockets for plug-in sensors

With sensor locking clip, for direct port cylinder mounting

	Thread size for cylinder port	Female thread	Tool required	Order code
	M5	M5	8 mm flat spanner	PWS-B155
	G1/8	G1/8	5 mm Allen key	PWS-B188
	G1/4	G1/4	8 mm Allen key	PWS-B199
	G3/8	G3/8	10 mm Allen key	PWS-B133
	G1/2	G1/2	12 mm Allen key	PWS-B122

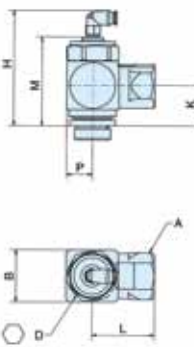
Dimensions (mm)

Blocker with push-in connection



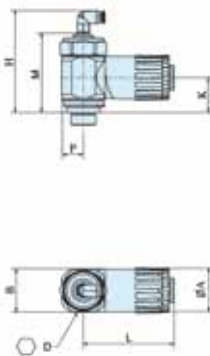
Order code	A	B	D	H	K	L	P	M
PWB-A1468	∅ 22	21	21	59,0	16,5	39	11	43
PWB-A1469	∅ 22	21	21	59,0	16,5	39	11	43
PWB-A1489	∅ 22	21	21	59,0	16,5	39	11	43
PWB-A1483	□ 27	30	27	66,5	22,5	39	15	52
PWB-A1493	□ 27	30	27	66,5	22,5	39	15	52
PWB-A1412	□ 27	30	27	66,5	22,5	39	15	52

Blocker with threaded connection



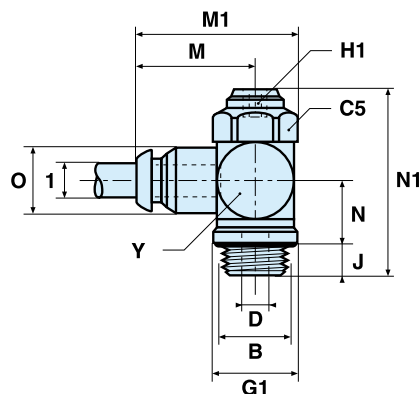
Order code	A	B	D	H	K	L	C	P	M
PWB-A1898	∅ 22	21	21	59,0	16,5	43,5	∅24	11	43
PWB-A1899	∅ 22	21	21	59,0	16,5	43,5	∅24	11	43
PWB-A1833	□ 27	30	27	66,5	22,5	36,0	□27	15	52
PWB-A1822	□ 27	30	27	66,5	22,5	36,0	□27	15	52

Blocker/Flow regulator



Order code	∅A	B	D	H	K	L	P
PWR-HB1448	22,5	21	21	59	16,5	47,0	12,5
PWR-HB1468	22,5	21	21	59	16,5	47,0	12,5
PWR-HB1469	22,5	21	21	59	16,5	47,0	12,5
PWR-HB1489	22,5	21	21	59	16,5	47,0	12,5
PWR-HB1483	29,0	30	27	64,5	22,5	60,0	15,0
PWR-HB1493	29,0	30	27	64,5	22,5	60,0	15,0
PWR-HB1492	29,0	30	27	64,5	22,5	60,0	15,0

PTF4/8PB - Flow regulator with push-in connection

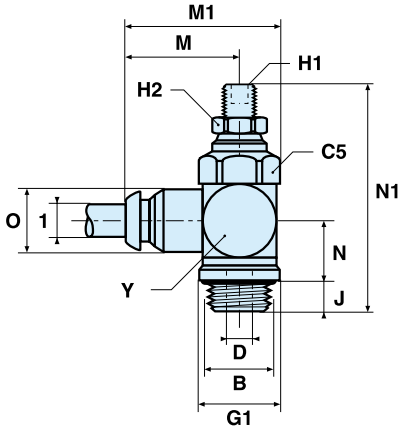


Exhaust flow control

Order code	C5	D	G1	H1	J	M	M1	N	N1	O	Y
PTF8PB4M5**	8	1,65	10,0	1,5	4	19,5	24,5	6,3	22,0	10	10
PTF4PB4-1/8	14	3,00	14,4	2,0	6	22,0	30,1	10,7	34,5	10	14
PTF4PB6-1/8	14	3,20	14,4	2,0	6	23,5	31,6	10,7	34,5	12	14
PTF4PB6-1/4	17	5,20	18,4	4,0	7	25,0	34,9	13,8	41,0	12	17
PTF4PB8-1/8	14	3,20	14,4	2,0	6	25,0	33,1	10,7	34,5	14	14
PTF4PB10-3/8	22	6,00	21,6	4,0	7	34,0	46,7	17,3	51,0	17	22
PTF4PB12-1/2	27	8,50	26,5	4,0	9	36,5	52,1	20,1	61,0	20	27

Dimensions (mm)

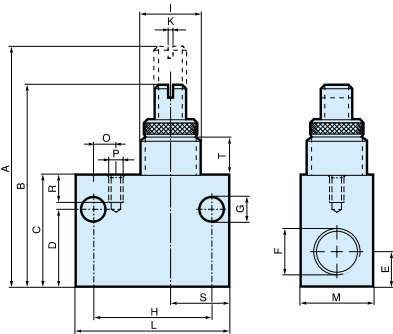
PTFL4/8PB - Flow regulator with push-in connection



Exhaust flow control

Order code	C5	D	G1	H1	H2	J	M	M1	N	N1	O	Y
PTFL8PB4M5**	8	1,65	10,0	1,5	8	4	19,5	24,5	6,3	28,5	10	10
PTFL4PB4-1/8	14	3,00	14,4	2,0	7	6	22,0	30,1	10,7	43,7	10	14
PTFL4PB6-1/8	14	3,20	14,4	2,0	7	6	23,5	31,6	10,7	43,7	12	14
PTFL4PB6-1/4	17	5,20	18,4	4,0	11	7	25,0	34,9	13,8	51,8	12	17
PTFL4PB8-1/8	14	3,20	14,4	2,0	7	6	25,0	33,1	10,7	43,7	14	14
PTFL4PB8-1/4	17	5,20	18,4	4,0	11	7	28,5	38,3	13,8	51,8	14	17
PTFL4PB8-3/8	22	6,00	21,6	4,0	11	7	29,5	42,2	17,3	63,7	14	22
PTFL4PB10-3/8	22	6,00	21,6	4,0	11	7	34,0	46,7	17,3	63,7	17	22
PTFL4PB12-1/2	27	8,50	26,5	4,0	14	9	36,5	52,1	20,1	76,1	20	27

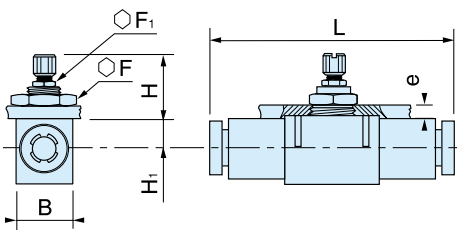
Flow Control Valves



Order code	A	B	C	D	E	F	G	H	I
VQB12-(Q)-OX-5	49	42	22	15	6,5	G1/8	5,8	24	M12x1
VQB12-(Q)-O-5	49	42	22	15	6,5	G1/8	5,8	24	M12x1
VQB22-(Q)-O-5	64	53	30	21	8,5	G1/4	7,0	32	M16x1
VQB42-(Q)-O-5	99	85	50	36	16,5	G1/2	7,0	50	M24x1,5

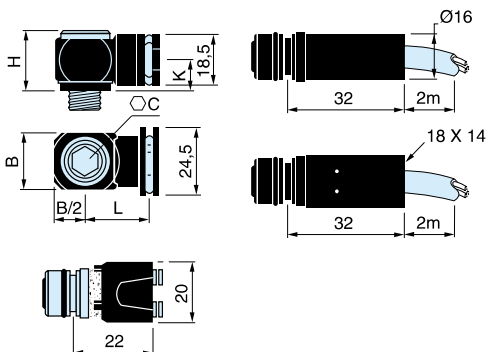
Order code	K	L	M	O	P	R	S	T
VQB12-(Q)-OX-5	1,2	32	15	-	-	-	13,5	8,8
VQB12-(Q)-O-5	1,2	32	15	-	-	-	13,5	8,8
VQB22-(Q)-O-5	1,2	42	20	6,0	M4	7	16,0	10,0
VQB42-(Q)-O-5	1,8	62	30	19,5	M4	7	20,5	15,2

Speed Controls, PWR-L Series



Order code	B	F	F1	e	H+	H-	H1	L	Q
PWR-L1444	12,0	14	*	6	25,5	21,5	6,5	39,0	10,5
PWR-L1466	17,0	19	*	7	32,5	27,5	7,5	54,0	17,0
PWR-L1488	18,5	24	11	7	34,5	28,5	9,0	60,5	19,0
PWR-L1499	24,0	30	14	7	38,5	29,5	11,5	76,0	25,0
PWR-L1411	28,0	32	14	8	42,0	32,0	12,5	86,0	28,0

Back Pressure Sensors - Modular



Order code	C	B	H	K	L
PWS-B155	8	11	16,5	10	17
PWS-B188	5	16	20,0	10	20
PWS-B199	8	21	20,0	10	22
PWS-B133	10	28	22,0	12	25
PWS-B122	12	33	26,0	14	26