

Ergonomically designed units to provide protection against accidental operation of machines. Completely sealed units prevent tampering and comply with latest European safety standards.



- Ergonomic design
- Robust polymer or metal enclosure
- Meets requirements for protection against accidental operation and tampering
- Metal enclosure features a wrist-rest bar which helps prevent illness due to repetitive actions
- Conforms to EN574 and EN954-1 requirements

Operating information

Working pressure	3 to 8 bar
Working temperature	-5 °C to +60 °C
For more information see www.parker.com/euro_pneumatic	

Control module only

Symbol	Connections	Order code
	Ø4 mm Push-in	PXP-A11

Complete units

Polymer enclosure, with two Ø40 mm push button with protective guards and control module

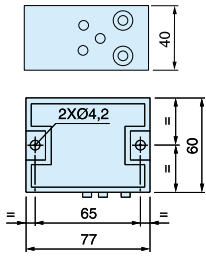
Symbol	Connections	Number of control modules	Order code
	Ø4 mm Push-in	1	PXP-C111
	Ø4 mm Push-in	2	PXP-D121

Metal enclosure, with two Ø60 mm push buttons, wrist restbar, built in protective guard and control module

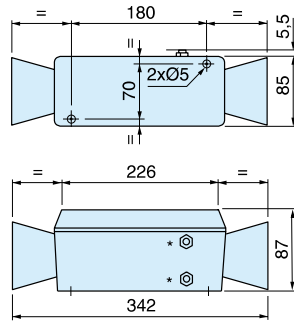
Symbol	Connections	Number of control modules	Order code
	Push-in Ø6 mm for supply Ø4 mm for output	1	PXP-S111
	Push-in Ø6 mm for supply Ø4 mm for output	2	PXP-S121

Dimensions

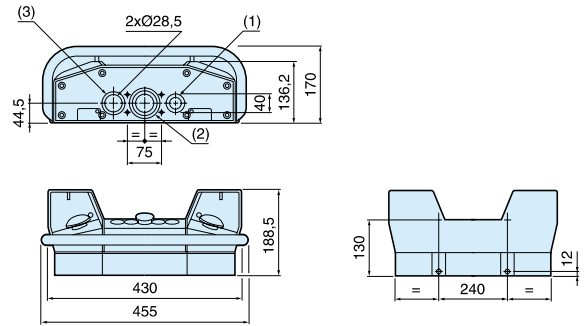
PXP-A11



PXP-C111 and PXP-D121



PXP-S111 and PXP-S121



- * Ø4 mm push-in connections
- ** Ø6 mm push-in connections