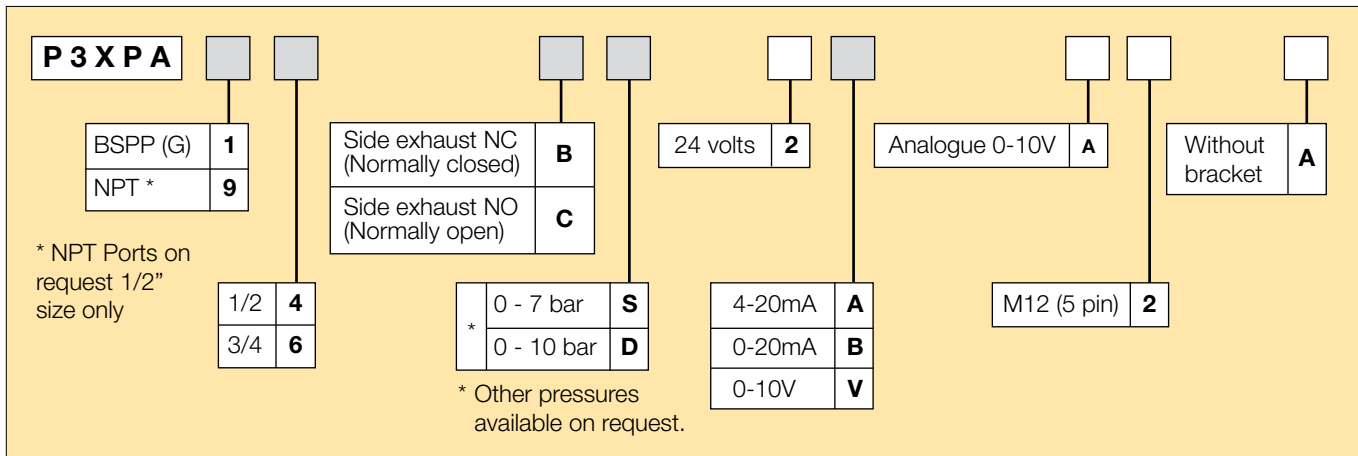


P3X Proportional Pressure Regulator



- Integral 1/2" or 3/4" ports (BSPP & NPT)
- Accurate output pressure
- Very fast response times
- Robust but lightweight design.

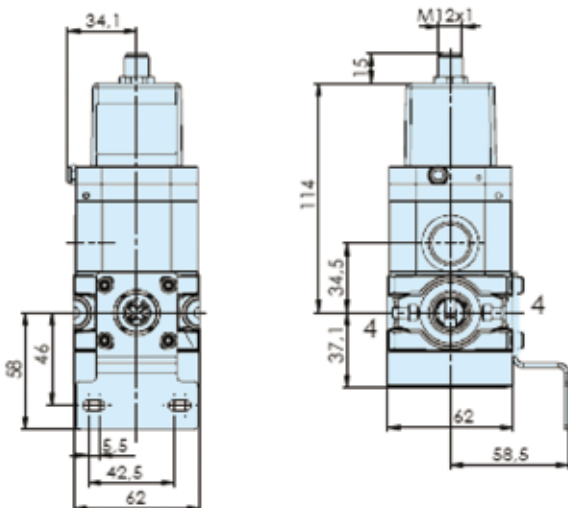
Options:



Popular options:

Port size	Description	Order Code	Control signal	Output signal	Output pressure	Weight kg
1/2	Normally closed	P3XPA14BD2VA2A	0 - 10 V	0 - 10 V	0 - 10 bar	0.75
3/4	Normally closed	P3XPA16BD2VA2A	0 - 10 V	0 - 10 V	0 - 10 bar	0.75

Dimensions (mm)



- * Two opposite gauge ports G1/4, plug screw mounted
- ** Connection for 5-pin plug M12 x 1
- *** Exhaust port 1/2"